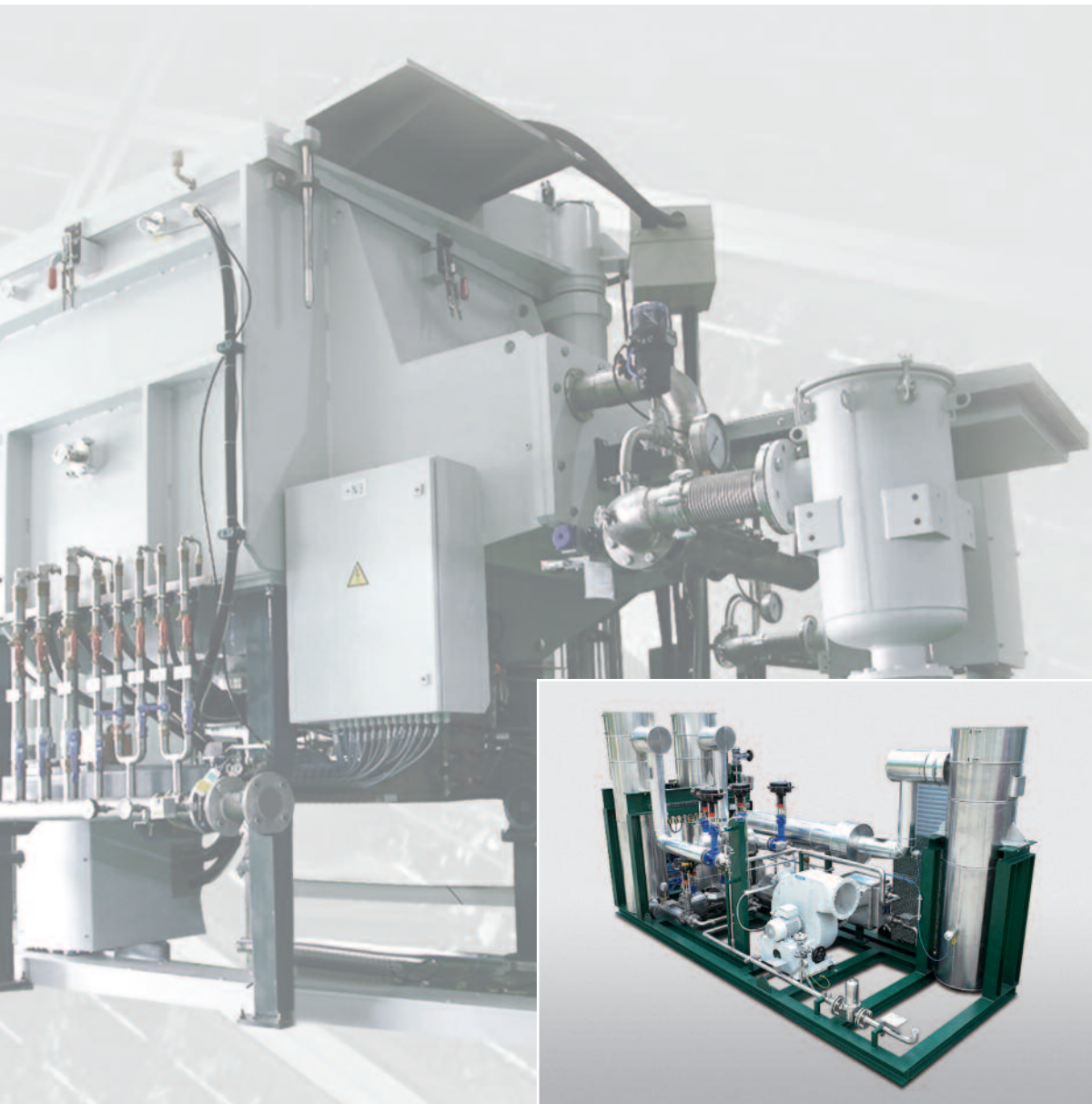


The Solution



# Argon Gas Recycling Unit

in Solar-Si Ingot Production

# Argon Gas Recycling Unit in Solar-Si Ingot Production

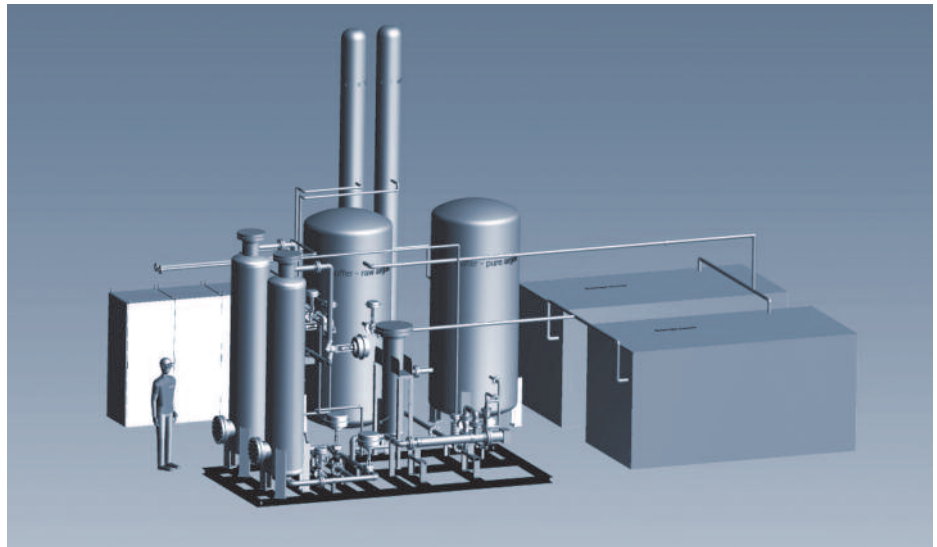
Argon gas is required in the production of poly-crystalline and mono-crystalline solar silicon ingots. Argon is a rare and expensive gas, and is currently exhausted to the atmosphere. ALD has developed and implemented a solution to recycle more than 80 % of this precious technical gas in solar silicon ingot production with the SCU (Silicon Crystallization Unit) series furnace.

## Features:

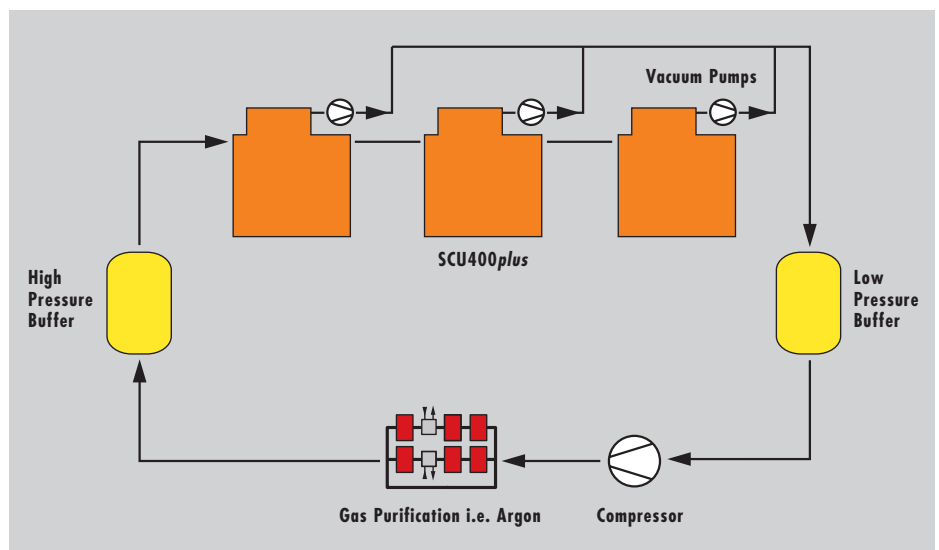
- Efficient reduction of argon consumption of more than 80 %
- Fully automated operation with remote control
- Highest availability of systems for long-term operation
- Guaranteed gas quality higher than 5.0 (99.999 %)

## Advantages:

- Direct reduction of operating costs within your production
- Short amortisation period
- Active and sustainable environment protection
- Reduced dependence on argon supply and availability



Basic Layout of Argon Recycling Unit



Argon Recycling Unit integrated into inert gas flow of SCU series furnace installation



## ALD Vacuum Technologies GmbH

Wilhelm-Rohn-Strasse 35  
D-63450 Hanau, Germany  
Phone: +49 (0) 6181- 307-0  
Fax: +49 (0) 6181- 307-3290  
e-mail: info@ald-vt.de  
Internet: www.ald-vt.de

## China

ALD Liaison Office  
c/o C&K Development Co., Ltd.  
Rm. 1102, South Office Tower  
Hong Kong Plaza  
283 Huai Hai Zhong Rd.  
Shanghai, 200021, China  
Phone +86 (21) 63 85 - 55 00  
e-mail: ald@ald-vt.cn

## Far East

ALD Thermo Technologies Far East Co., Ltd.  
10F. Shinjuku Nomura Bldg.  
1-26-2 Nishi-Shinjuku, Shinjuku-Ku  
Tokyo 163-0558, Japan  
Phone +81 (3) 33 40 37 26  
e-mail: Peter.Lang@ald-vt.de

## Great Britain

ALD Vacuum Technologies Ltd.  
First Floor  
276 High Street  
Guildford, Surrey GU 1 3JL, UK  
Phone +44 (1483) 45 44 34  
e-mail: info@aldvactech.co.uk

## Russia

ALD Vacuumyie Technologii OOO  
ul. Bolschaja Ordynka 40, str. 2  
109017 Moskau, Russia  
Phone +7 (495) 787 6733  
e-mail: ald@metallurg.com.ru

## USA / Canada

ALD Vacuum Technologies, Inc.  
18, Thompson Road  
East Windsor, CT 06088, USA  
Phone +1 (860) 386 72 - 27  
e-mail: info@ald-usa.com